

Exhibit 7236

Model number: 106181

Dimensions: 72" x 36" x 18"

Installation: Drop-in

Material: Acrylic



Standard Features:

- Rectangular shape bathtub
- Drop-in or alcove installation with tiling flange
- Minimalist look with discreet armrests and textured floor
- End drain

Product characteristics:

- Integrated Armrest
- Therapy System Available
- Textured Floor

Warranty:

25 Years

Standard colors:



Certifications

MAAX products adhere to one or more of the following certifications:



Options (Visit our website for a complete list of our options)

No	Description
<input type="checkbox"/> OPT 10053	Chromatherapy
<input type="checkbox"/> OPT 10095	Water heater assembly
<input type="checkbox"/> OPT 10106	Metal trim kit for whirlpool and combined systems
<input type="checkbox"/> OPT 20029	Metal trim kit for Air Push Control
<input type="checkbox"/> OPT 20137	Cable-operated waste and overflow

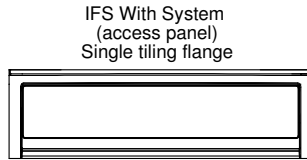
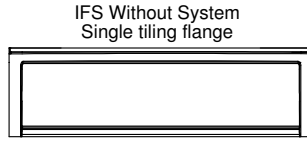
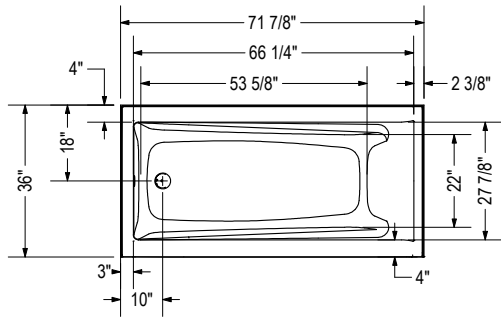
Exhibit 7236

Model number: 106181

Dimensions: 72" x 36" x 18"

Installation: Drop-in

Material: Acrylic



Dimensions:

71 7/8 x 36 x 18 in.
(1826 x 914 x 457 mm)

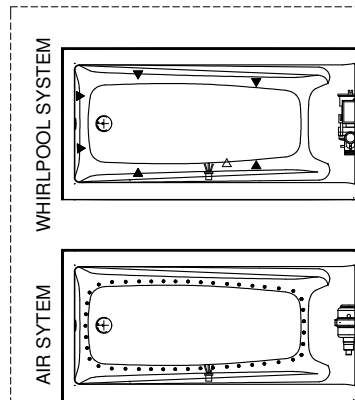
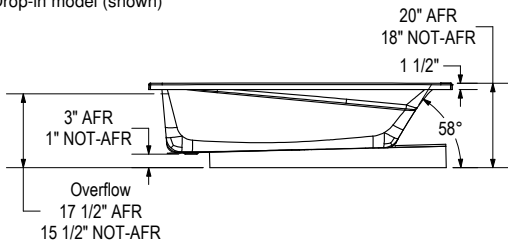
Weight:

83 lbs -

Drain location:

End

1" Single integrated tiling flange (not shown)
Drop-in model (shown)



- (▲) : Indicates whirlpool jets positioning
- (△) : Indicates suction positioning
- (●) : Indicates airjets positioning
- (⊠) : Indicates chromatherapy light positioning

Technical drawing is universal for all Exhibit 7236 configurations.

Wood support design may vary.
Single Integrated tiling flange: 1" height x 1/4" thickness (not shown)

All dimensions are approximate.
Structure measurement must be verified against the unit to ensure proper fit.

Project: _____

Contractor: _____

Representative: _____

Date: _____

Tel: _____

Notes: _____
